

RAFSHIELD® FSR NETWORK ENCLOSURE

Description

Incorporating common features such as adjustable 19" mounting angles and fitted with transportation castors as standard, the FSR range offers a configurable top panel system to incorporate fan and cable entry solutions.

An open base design to promote trouble free installation. Cabinets can be fitted with a range of options including side panels, safety glass doors and hexagonal vented metal doors.

19" Typical installation

- Data center
- Networking/Cabling/Broadcast
- 19" Electronic Equipment Housing
- Communications Systems
- IT Systems

Standard Features

- Supplied in Flat-Packed or Fully Assembled
- Enclosed front glass door with swing lock
- Perforated Hexagonal Metal door with Swing lock
- Quick release Side Panel with Round lock
- Cable Entry on Top cover and Bottom panel
- Top Fan Tray Unit for 2, 4 or 6 fans (800mm width)
- Set of heavy duty castors
- Set of adjustable cabinet feet
- Standard 19" panel mount with RMU Marking

Standard

- Standard - IEC 297-2, DIN 41494, DIN 41491,
- EN 60950, RS-310-D, GB/T3047.2-92
- IP Degree : IP20

Surface Finish

- Degreasing, Pickling, Phosphate, Power Coating



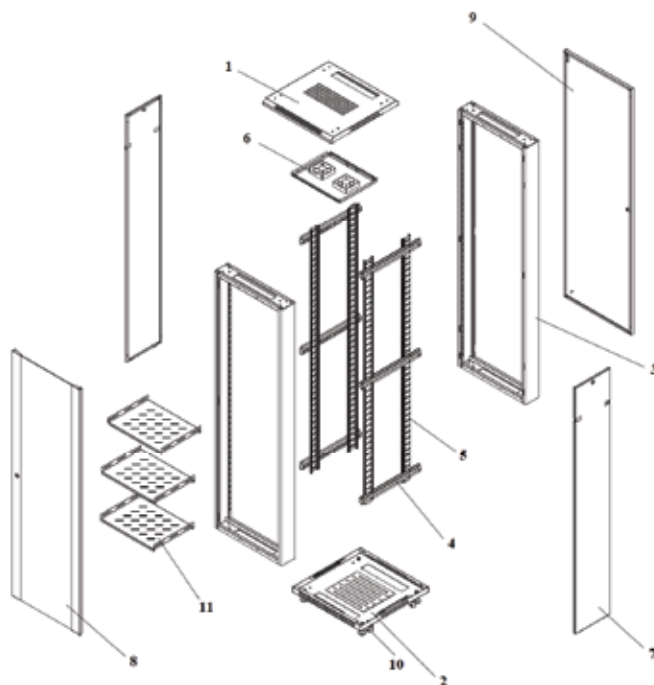
FSR Equipment Enclosure

The best value for money data cabinet available on the market today. It can be easily modified, built and deassembled where the access restrictions in space are in force.

It's design has evolved from continuous development with today's installation teams.

RAFSHIELD® FSR NETWORK ENCLOSURE

INSTALLATION MANUAL



- | | |
|----|------------------|
| 1 | Top Cover |
| 2 | Bottom Cover |
| 3 | Main Frame |
| 4 | Mounting Angle |
| 5 | Mounting Profile |
| 6 | Fan Tray |
| 7 | Side Cover |
| 8 | Front Door |
| 9 | Rear Door |
| 10 | Castor Wheels |
| 11 | Equipment Tray |

Related Accessories



Adjustable Feet



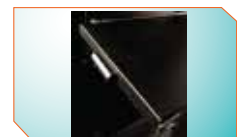
Castor Wheel



Swing lock set



Power Distribution unit



19" Sliding Tray

Ordering information

Part No.	U Height	Width(mm)	Depth(mm)	Height(mm)
FSR 6818	18U	600	800	980
FSR 6822	22U	600	800	1157
FSR 6827	27U	600	800	1379
FSR 6832	32U	600	800	1601
FSR 6842	42U	600	800	2046
FSR 8842	42U	600	800	2046
SRB 61127	27U	600	1100	1379
SRB 61142	42U	600	1100	2046
SRB 81142	42U	800	1100	2046

* Other size are available upon request