

# Twin Switched BS Socket & 2 Port USB Charger

Aster

## Specifications

### Electrical:

- Rated Voltage: 250VAC 50/60Hz
- Rated Current: 13A
- Recommended wire size: 2.5mm<sup>2</sup>- 4mm<sup>2</sup>

### USB Charger:

- Output: 5VDC, 2100mA max. (Shared)
- Overload, over-heat protected
- Short-circuit protection



Front view

### Mechanical:

- Overall dimension: 88mm x 146mm x 35mm (HxWxD)
- Fixing screws centre: 120.6mm
- BS 4662 flush metal box compatible

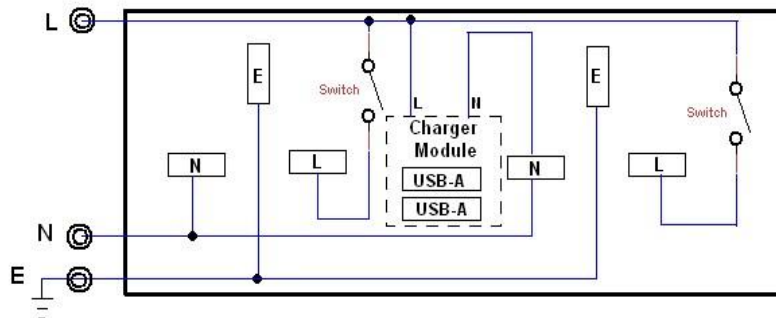
### Standards:

- BS 1363
- SS145-2: 2018
- MS589-2: 2018
- BS EN 62368-1
- SASO 2203



Back view

## Wiring Diagram



## Ordering information

Colour	Part No.
White	RCE-KW13SD
Silver	RCE-KW13SD-4SV
Champagne	RCE-KW13SD-4CP
Black	RCE-KW13SD-4BL

The information given in this document may be amended. You are also reminded that all products must be installed by a qualified professional.