

1 Gang Switched BS Socket & USB Charger

Aster

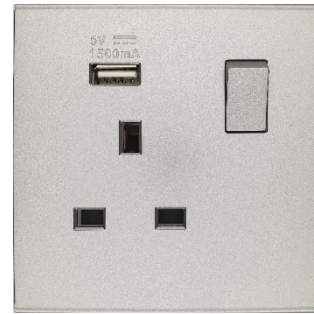
Specifications

Electrical:

- Rated Voltage: 250VAC 50/60Hz
- Rated Current: 13A
- Recommended wire size: 2.5mm²- 4mm²

USB Charger:

- Output: 5VDC, 1500mA max.
- Overload, over-heat protected
- Short-circuit protection



Front view

Mechanical:

- Overall dimension: 88mm x 86mm x 32mm (HxWxD)
- Fixing screws centre: 60.3mm
- BS 4662 flush metal box compatible

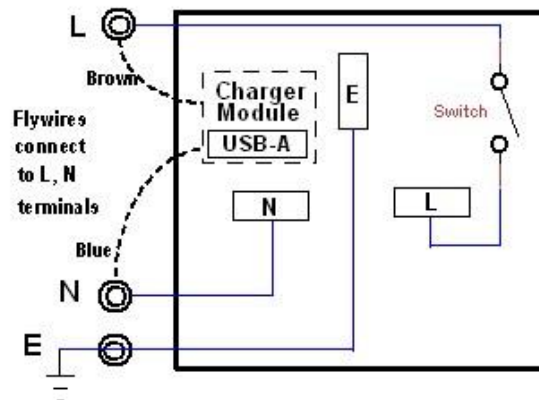


Back view

Standards:

- BS 1363
- SS145-2: 2018
- MS589-2: 2018
- BS EN 62368-1
- SASO 2203

Wiring Diagram



Ordering information

Colour	Part No.
White	RCE-KU13S
Silver	RCE-KU13S-4SV
Champagne	RCE-KU13S-4CP
Black	RCE-KU13S-4BL

The information given in this document may be amended. You are also reminded that all products must be installed by a qualified professional.