

4 Gang Tactile Switch

Aster

Description

This soft touch tactile switch is designed for integration to 12VDC control system with provision for engraving signage/icon with white or yellow LED backlighting

Specifications

Electrical:

Switch

- Rated Voltage: 12VDC
- Rated Current: <30mA

LED Indicator

- Voltage: 12VDC
- White LED Current: <10mA each
- Yellow LED Current: <20mA total

Mechanical:

- Removable screw terminal block
- Recommended wire size: 0.5mm²-1.5mm²
- Overall dimension: 88mm x 86mm x 35mm (HxWxD)
- BS 4662 wall box compatible

Operation parameters:

- Switch K1,K2,K3,K4 output to control system inputs – active high (12V) or low (0V)*
Factory default: active low (0V) when switch is pressed
- White LED backlight: on/off can be individually control by system output – active low (0V) to light up
- Yellow LED backlight: all on when GND is 0V**

*Internally pre-selectable jumper, affects all switch outputs

**If yellow LEDs are not used, select active high switch output, or specify when ordering to remove yellow LEDs

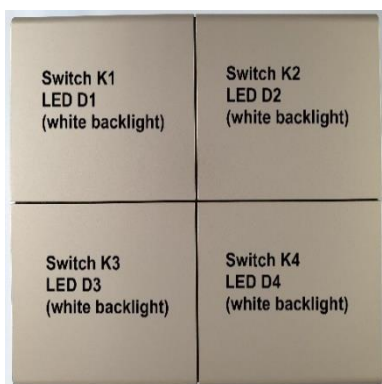


Front view



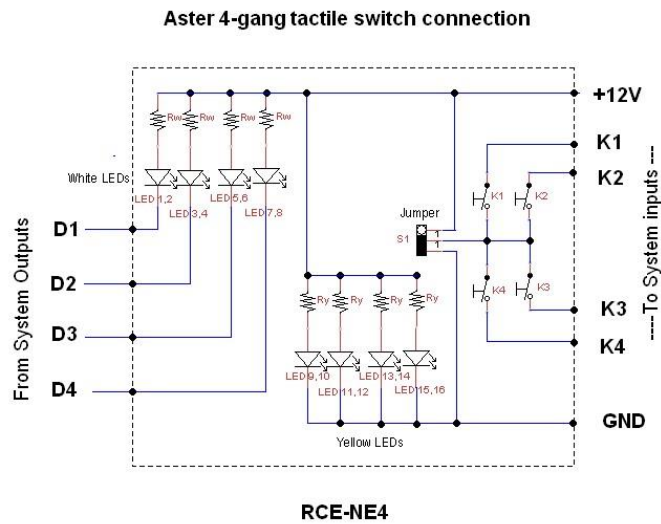
Back view

Switch/LED indicator location on faceplate:

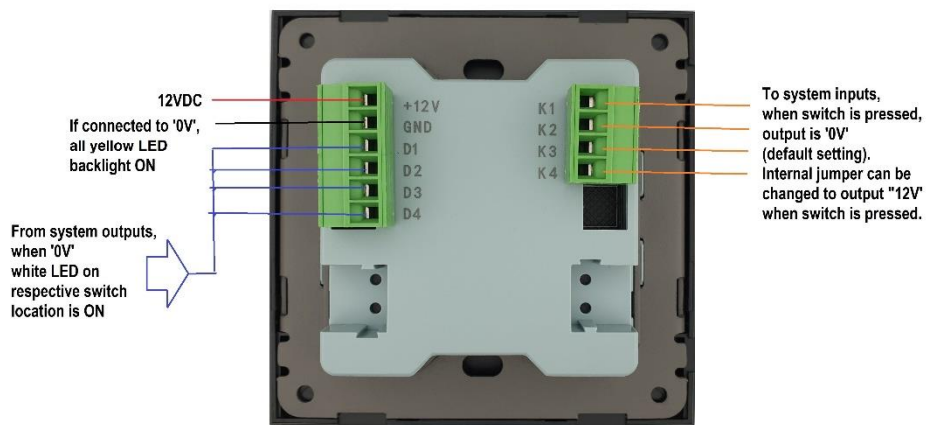


White, Yellow LED locations (behind faceplate)

Switch connection schematic:



Connection Information:



Example: Faceplate engraved with icon



White LED backlight lit up



Yellow LED backlight lit up

Ordering information

Colour	Part No.
Silver	RCE-NE4-4SV
Champagne	RCE-NE4-4CP
Grey	RCE-NE4-4GR
Black	RCE-NE4-4BL

The information given in this document may be amended. You are also reminded that all products must be installed by a qualified professional.