

2 Gang Zigbee Switch (with Neutral wire)

Aster

Description

This Zigbee wireless switch is designed for integration to Zigbee lighting control system. Switch comes with white and amber LED indicator, with provision for engraving signage/icon on faceplate.

Specifications

Electrical:

Switch

- Rated Voltage: 220VAC ±20%, 50Hz
- Rated Output Load*:
 - ≤400W per circuit (Incandescent lamp)
 - ≤160W per circuit (LED lamp)
- With Neutral wire connection

LED Indicator

- White LED on when switch activated
- Amber LED for backlighting, off when switch activated
- Green LED blinking for pairing

Mechanical:

- Recommended wire size: 0.5mm²-1.5mm²
- Overall dimension: 88mm x 86mm x 35mm (HxWxD)
- Standard 86 wall box
- Operating temperature: -10 °C to 50 °C

*With internal 10A Output Relays

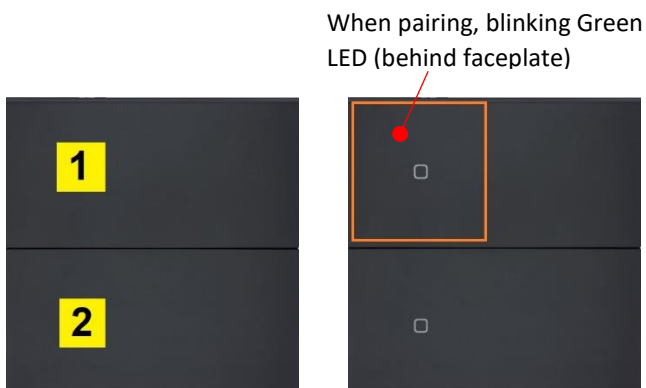


Front view

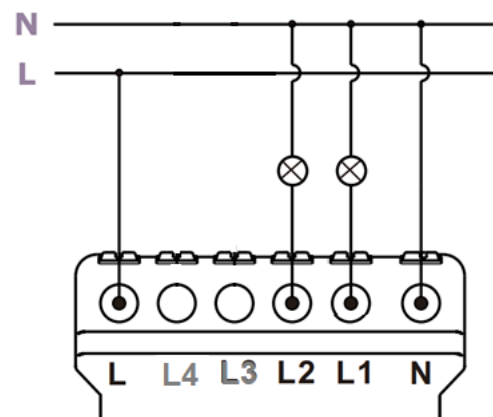


Back view

Switch button numbering:



Switch Connection:



LED location & arrangement

(with faceplate removed, top-left corner switch button)



White LEDs (4) on



Amber LEDs (4) on



Green LED (1) on

Technical Information:

- Zigbee 3.0 (2.4 GHz)
- Switch can function as router/repeater
- Operation range: 10-30m (indoors, depending on physical obstructions and interferences)
- Operating range can be extended with routers/repeaters (Mesh network topology)
- Easily pair with Zigbee Coordinator such as Tuya Smart Gateway
- Pairing – long press any switch button (>10 sec.), top-left green LED blinking, off when paired successfully
- Blinking LED will turn off if not paired in about 3min.
- Reset pairing - long press any switch button (>10 sec.), mobile App shows device as “off-line”
- Restore AC supply after power failure, all outputs are turned off by default
- Switch can be operated using its physical button switch, mobile APP (e.g., Smart Life App) or third-party voice-control devices e.g., Google Home/Nest

Example: Faceplate engraved with icon



White LED when Switch-ON



Amber LED backlight

Ordering information

Colour	Part No.
Silver	RCE-ZBAN2-4SV
Champagne	RCE-ZBAN2-4CP
Grey	RCE-ZBAN2-4GR
Black	RCE-ZBAN2-4BL

The information given in this document may be amended. You are also reminded that all products must be installed by a qualified professional.