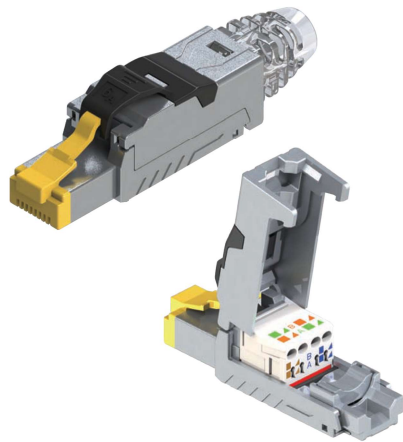


FULL SHIELDED TERMINATION PLUG | FIELD TERMINATION PLUG



- Full shielded with zinc alloy housing
- T568A & B wiring
- L x W x H: 62.2 x 13.8 x 17.8mm
- Complied with the C6A patch cord component
- Cable wire gauge: 22AWG to 26AWG
- Cable outer diameter: 6.0 to 7.5mm
- Suitable for the PoE plus (IEEE 802.3at) applications
- Easy, quickly, reliable and comfortable installation



Ordering information

Part No.	Description
RPG-FPC6AFS-00D	Cat.6A patch cord component level, full shielded, snap-in boot type
RTL-ECTB000-00D	ECT-B Crimping Tool

IP20 FULL SHIELDED TERMINATION PLUG, SCREW-FIT BOOT | FIELD TERMINATION PLUG



- Full shielded with zinc alloy housing
- T568A & B wiring
- L x W x H: 64.6 x 14.4 x 18.4mm
- Complied with the C6A patch cord component
- Cable wire gauge: 22AWG to 26AWG
- Cable outer diameter: 6.0 to 7.5mm
- IP20 protection by Dust-cap and screw-fit boot design
- Suitable for the PoE plus (IEEE 802.3at) applications
- Easy, quickly, reliable and comfortable installation



Ordering information

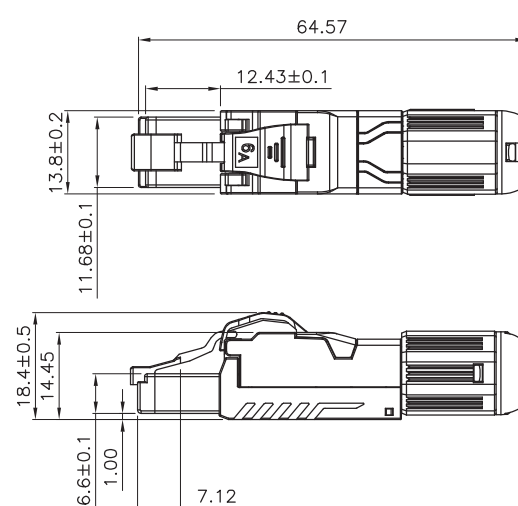
Part No.	Description
RPG-FPSC6AF-S0D	Cat.6A patch cord component level, full shielded, screw-fit boot type
RTL-ECTB000-00D	ECT-B Crimping Tool

Suitable for easy crimping tool

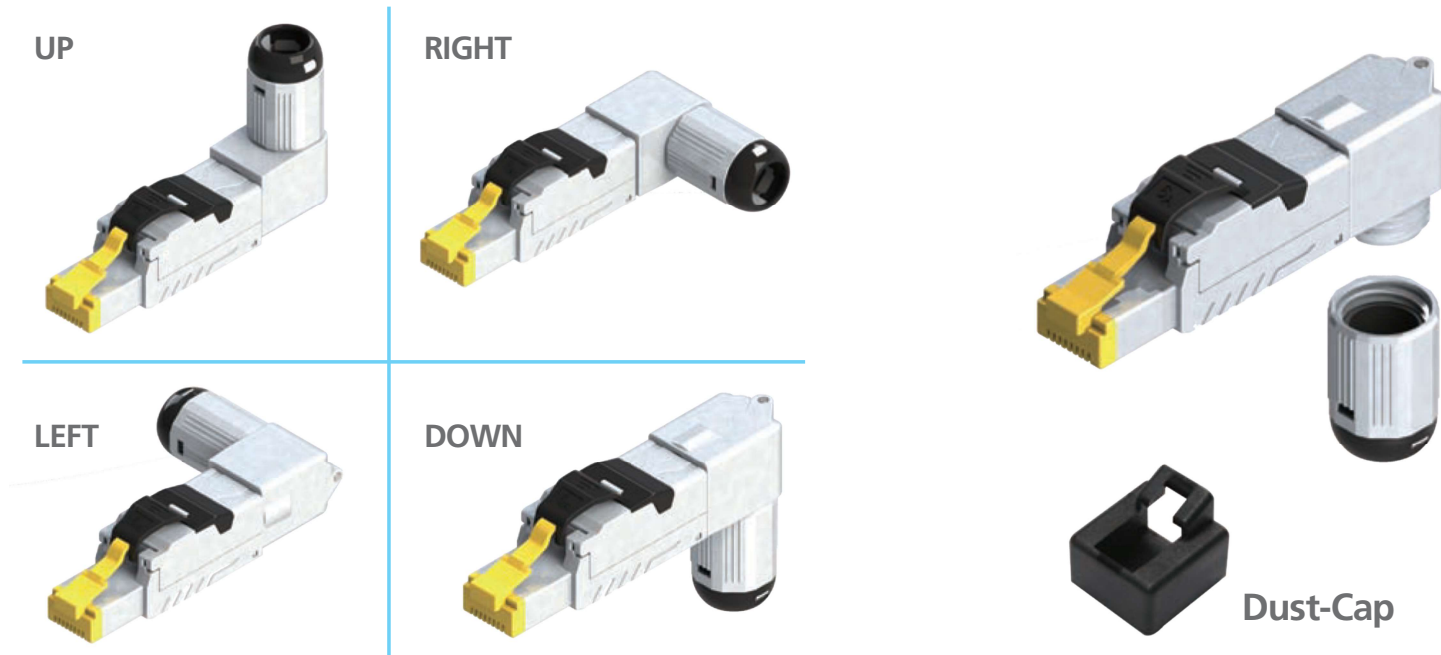


ECT-B

- Light weight by plastic material design
- Economic solution for keystone jack and field termination plug installation



IP20 FULL SHIELDED 4-DIRECTION FIELD TERMINATION PLUG | FIELD TERMINATION PLUG



- Full shielded with zinc alloy housing
- 4 direction cable entry design
- T568A & B wiring
- Complied with the C6A patch cord component
- Cable wire gauge: 22AWG to 26AWG
- Cable outer diameter: 6.0 to 7.5mm
- IP20 protection by Dust-cap and screw-fit boot design
- Suitable for the PoE plus (IEEE 802.3at) applications
- Easy, quickly, reliable and comfortable installation



Ordering information

Part No.	Description
RPG-FPAC6AF-S0D	Cat.6A patch cord component level, full shielded, 4 direction, screw-fit boot type
RTL-ECTB000-00D	ECT-B Crimping Tool

Suitable for easy crimping tool



ECT-B

- Light weight by plastic material design
- Economic solution for keystone jack and field termination plug installation

