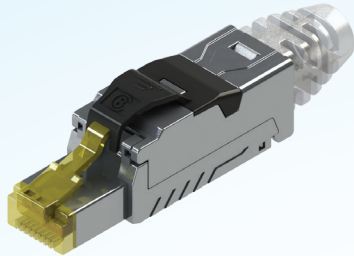


STP FIELD TERMINATION PLUG

SNAP-IN BOOT TYPE



Features

- High-Density and extreme performance by PCB compensation design for Hyper-Scale and Edge Data Center
- Tool-Free structure design support easy and quick in-field termination, T568A & B wiring
- Power over HDBaseT™ (PoH) applications up to 100 W
- IP20 performance by the Dust-Cap and Push-Rotate boot design

Standards Compliance

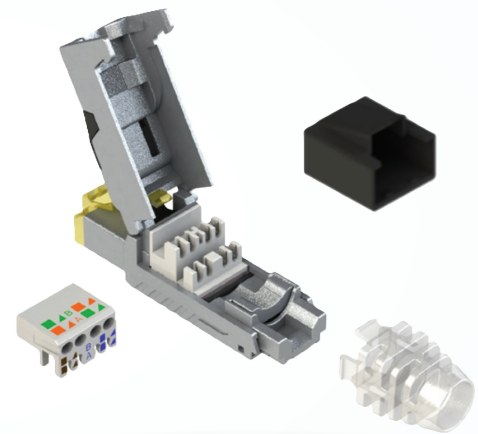
- ANSI/TIA-568.2-D
- ISO/IEC 11801-1, CLASS EA/CLASS I
- IEC 60603-7-1
- IEC 60512-99-002
- IEEE 802.3bt Type 4 PoE++ (4PPoE) 100 W

Mechanical Characteristics

- Life (Mating cycles) ≥ 750 cycles
- Mating/Un-mating EC ≤ 30 N
- Retention Strength 7.7kg between Jack and Plug

Installation Information

- Wire conductor range Solid and stranded,
Cat.8 type: 22-24AWG,
Cat.6A type: 23-26 AWG
- Cable O.D. range 5.6 - 8.5 mm
- IDC re-installing cycles ≥ 20 cycles
- Installing temperature 0°C to 50°C (32°F to 122°F)
- Storage temperature -40°C to 70°C (-40°F to 158°F)
- Operating temperature -10°C to 60°C (14°F to 140°F)
- Humidity 10% to 90% RH



Electrical Characteristics

- Contact resistance ≤ 20 m Ω , from initial
- Insulation resistance ≥ 500 M Ω at 100 Vdc, for 60 s
- Voltage proof contact to contact 1000 Vdc, contact to shield 1500 Vdc, for 60 s
- Current carrying capacity 1.0 A at 60 C
- UL Voltage rating 150V
- POE 60 Vdc, IEEE 802.3bt Type 4 PoE++ (4PPoE) 100 W

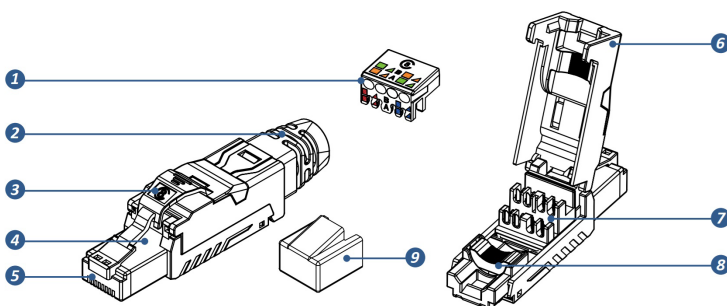
STP FIELD TERMINATION PLUG

SNAP-IN BOOT TYPE

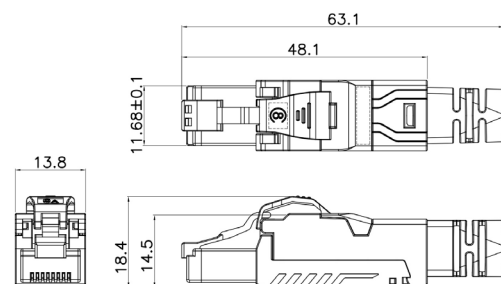
Material Specification

Parts	Specification
1. Wire management bar (IDC-Cap)	Polycarbonate, UL94V-2, white color
2. Boot	Polycarbonate, UL94V-2, transparent color, O.D. 9.0 mm
2-1. SR-A	Polycarbonate, UL94V-2, transparent color, O.D. 7.3 mm
2-2. SR-B	Polycarbonate, UL94V-2, transparent color, O.D. 7.3 mm
3. Extractor	Polycarbonate, UL94V-2, black color
4. Housing	Zinc Die-Casting with nickel plating
5. RJ45 plug	Polycarbonate, UL94V-2, transparent yellow color
5-1. Housing	Phosphor bronze with nickel plating
5-2. Contacts material	50 micro-inch gold plating on surface plug contact area
5-3. Contacts gold plating	Zinc Die-Casting with nickel plating
6. Cover	Polycarbonate, UL94V-2, white color
7. IDC	Copper-alloy with tin plating
7-1. Housing	Zinc Die-Casting with nickel plating
7-2. Terminals	PE, Black color
8. Grounding contacts	FR4, UL94V-0
9. Dust-Cap	PE, Black color
10. PCB	FR4, UL94V-0
11. Copper foil tape	

Materials



Dimensions (mm)

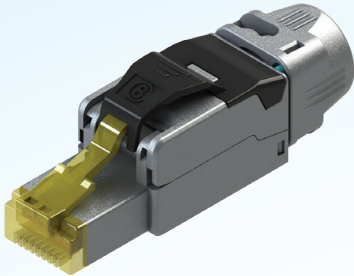


Ordering information

Part No.	Description
RPG-FP06AFS-00D	Cat.6A STP Field Termination Plug, Snap-In Boot, 23-26 AWG
RPG-FP0C8FS-00D	Cat.8 STP Field Termination Plug, Snap-In Boot, 22-24 AWG

STP FIELD TERMINATION PLUG

PUSH-ROTATE BOOT TYPE



Features

- High-Density and extreme performance by PCB compensation design for Hyper-Scale and Edge Data Center
- Push- Rotate boot and Tool-Free structure design support easy and quick in-field termination, T568A & B wiring
- Power over HDBaseT™ (PoH) applications up to 100 W
- IP20 performance by the Dust-Cap and Push-Rotate boot design

Standards Compliance

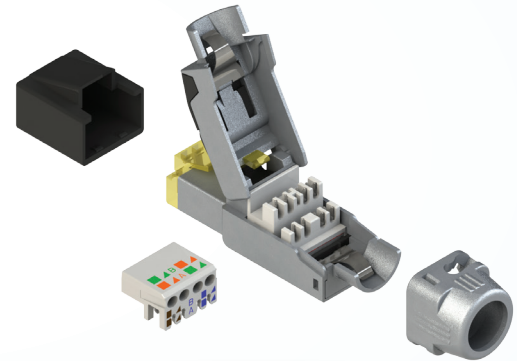
- ANSI/TIA-568.2-D
- ISO/IEC 11801-1, CLASS EA/CLASS I
- IEC 60603-7-1
- IEC 60512-99-002
- IEEE 802.3bt Type 4 PoE++ (4PPoE) 100 W

Mechanical Characteristics

- Life (Mating cycles) ≥ 750 cycles
- Mating/Un-mating EC ≤ 30 N
- Retention Strength 7.7kg between Jack and Plug

Installation Information

- Wire conductor range Solid and stranded,
Cat.8 type: 22-24AWG,
Cat.6A type: 23-26 AWG
- Cable O.D. range 7.0 - 8.5 mm
- IDC re-installing cycles ≥ 20 cycles
- Installing temperature 0°C to 50°C (32°F to 122°F)
- Storage temperature -40°C to 70°C (-40°F to 158°F)
- Operating temperature -10°C to 60°C (14°F to 140°F)
- Humidity 10% to 90% RH



Electrical Characteristics

- Contact resistance ≤ 20 m Ω , from initial
- Insulation resistance ≥ 500 M Ω at 100 Vdc, for 60 s
- Voltage proof contact to contact 1000 Vdc, contact to shield 1500 Vdc, for 60 s
- Current carrying capacity 1.0 A at 60 C
- UL Voltage rating 150V
- POE 60 Vdc, IEEE 802.3bt Type 4 PoE++ (4PPoE) 100 W

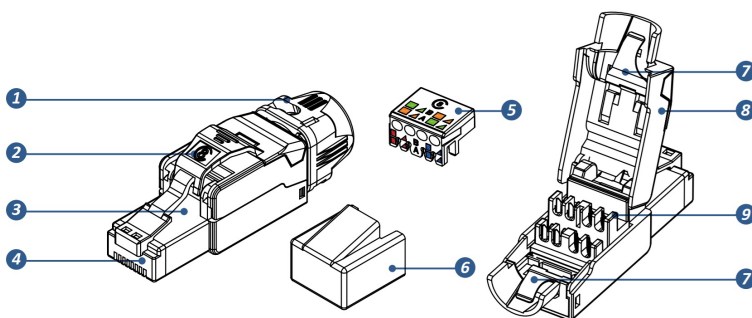
STP FIELD TERMINATION PLUG

PUSH-ROTATE BOOT TYPE

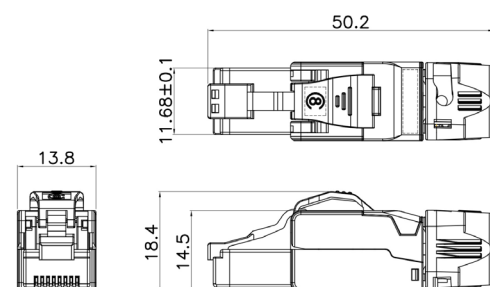
Material Specification

Parts	Specification
1. Boot	
1-1. Housing	Zinc Die-Casting with nickel plating
1-2. Spring	Piano steel wire SWP-B
2. Extractor	Polycarbonate, UL94V-2, black color
3. Housing	Zinc Die-Casting with nickel plating
4. RJ45 plug	
4-1. Housing	Polycarbonate, UL94V-2, transparent yellow color
4-2. Contacts material	Phosphor bronze with nickel plating
4-3. Contacts gold plating	50 micro-inch gold plating on surface plug contact area
5. Wire management bar (IDC-Cap)	Polycarbonate, UL94V-2, white color
6. Dust-Cap	PE, black color
7. Grounding contacts	Brass with nickel plating
8. Cover	Zinc Die-Casting with nickel plating
9. IDC	
9-1. Housing	Polycarbonate, UL94V-2, white color
9-2. Terminals	Copper-alloy with tin plating
10. PCB	FR4, UL94V-0
11. Copper foil tape	

Materials



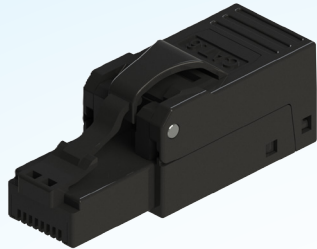
Dimensions (mm)



Ordering information

Part No.	Description
RPG-FPB6AFS-00D	Cat.6A STP Field Termination Plug, Push-Rotate Boot, 23-26 AWG
RPG-FPBC8FS-00D	Cat.8 STP Field Termination Plug, Push-Rotate Boot, 22-24 AWG

UTP FIELD TERMINATION PLUG



Features

- Extreme performance by PCB compensation design for Hyper-Scale and Edge Data Center
- Easy field termination, T568A & B wiring
- Power over HDBaseT™ (PoH) applications up to 100 W
- Design to support Ethernet at rates up to 10 Gbps over distances up to 55 meters
- Up to 90 meters Modular Plug Terminated Link (MPTL) applications
- Design to support CAT6 patch cord component-rated

Standards Compliance

- ANSI/TIA-568.2-D
- ISO/IEC 11801-1, CLASS D/E
- IEC 60603-7
- IEC 60512-99-002
- IEEE 802.3bt Type 4 PoE++ (4PPoE) 100 W

Mechanical Characteristics

- Life (Mating cycles) ≥ 750 cycles
- Mating/Un-mating EC $\leq 20N$
- Retention Strength 7.7kg between Jack and Plug

Installation Information

- Wire conductor range Solid and stranded, 23-26 AWG
- Cable O.D. range 5.0 mm to 7.5 mm
- IDC re-installing cycles ≥ 20 cycles
- Installing temperature $0^{\circ}C$ to $50^{\circ}C$ ($32^{\circ}F$ to $122^{\circ}F$)
- Storage temperature $-40^{\circ}C$ to $70^{\circ}C$ ($-40^{\circ}F$ to $158^{\circ}F$)
- Operating temperature $-10^{\circ}C$ to $60^{\circ}C$ ($14^{\circ}F$ to $140^{\circ}F$)
- Humidity 10% to 90% RH



Electrical Characteristics

- Contact resistance $\leq 20 m\Omega$, from initial
- Insulation resistance $\geq 500 M\Omega$ at 100 Vdc, for 60 s
- Voltage proof contact to contact 1000 Vdc, for 60 s
- Current carrying capacity 1.0 A at 60 C
- UL Voltage rating 150V
- POE 60 Vdc, IEEE 802.3bt Type 4 PoE++ (4PPoE) 100 W

UTP FIELD TERMINATION PLUG

Material Specification

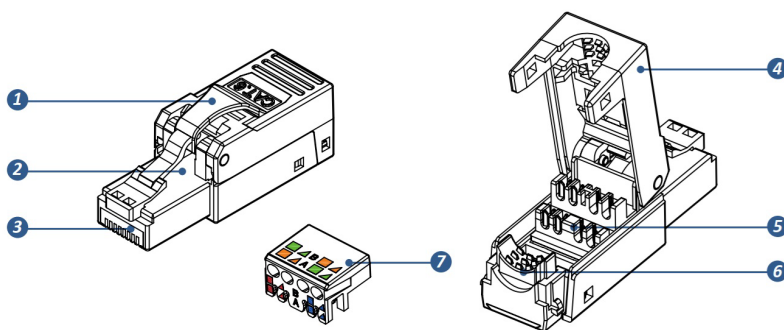
Parts

1. Extractor
2. Housing
3. RJ45 plug
 - 3-1. Housing
 - 3-2. Contacts material
 - 3-3. Contacts gold plating
4. Cover
5. IDC
 - 5-1. Housing
 - 5-2. Terminals
6. Clamp
7. Wire management bar (IDC-Cap)
8. PCB

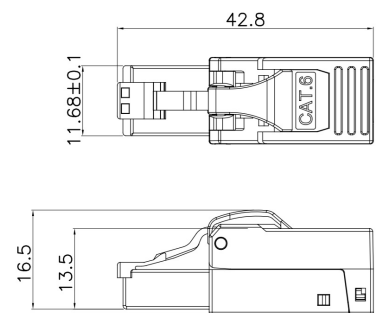
Specification

- Polycarbonate, UL94V-2, black color
 Polycarbonate, UL94V-2, black color
 Polycarbonate, UL94V-2, black color
 Phosphor bronze with nickel plating
 50 micro-inch gold plating on surface plug contact area
 Polycarbonate, UL94V-2, black color
 Polycarbonate, UL94V-2, white color
 Copper-alloy with tin plating
 Polycarbonate, UL94V-2, black color
 Polycarbonate, UL94V-2, white color
 FR4, UL94V-0

Materials



Dimensions (mm)



Ordering information

Part No.	Description
RPG-FPPC6US-07D	Cat.6 UTP Field Termination Plug, Black color

ROTATABLE UTP FIELD TERMINATION PLUG



Features

- Rotatable design to fit in the small space
- PCB compensation design, up to 90 meters
Modular Plug Terminated Link(MPTL) applications
- Easy field termination, T568A & B wiring
- Power over HDBaseT™ (PoH) applications up to 100 W

Standards Compliance

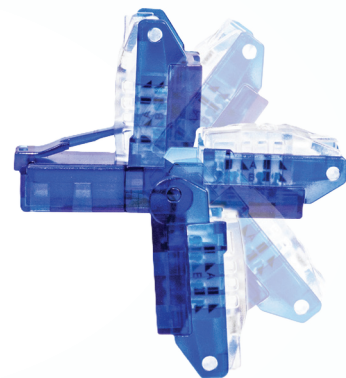
- ANSI/TIA-568.2-D
- ISO/IEC 11801-1, CLASS D/E
- IEC 60603-7
- IEC 60512-99-001
- IEEE 802.3bt Type 4 PoE++ (4PPoE) 100 W

Mechanical Characteristics

- | | |
|-------------------------------|-----------------------------|
| • Life (Mating cycles) | ≥ 750 cycles |
| • Life (180° rotating cycles) | ≥ 500 cycles |
| • Mating/Un-mating EC | ≤ 20N |
| • Retention Strength | 7.7kg between Jack and Plug |

Installation Information

- | | |
|----------------------------|--------------------------------|
| • Wire conductor range | Solid and stranded, 23-26 AWG |
| • Cable O.D. range | 5.0 mm to 7.5 mm |
| • IDC re-installing cycles | ≥ 20 cycles |
| • Installing temperature | 0°C to 50°C (32°F to 122°F) |
| • Storage temperature | -40°C to 70°C (-40°F to 158°F) |
| • Operating temperature | -10°C to 60°C (14°F to 140°F) |
| • Humidity | 10% to 90% RH |



Electrical Characteristics

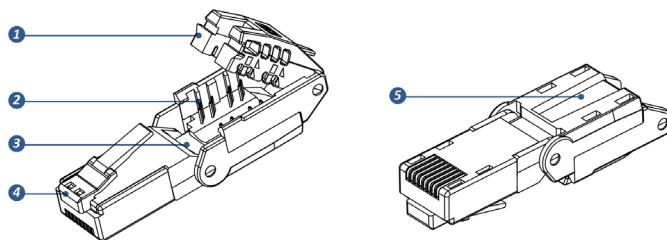
- | | |
|----------------------|---|
| • Contact resistance | ≤ 20 mΩ , from initial |
| • UL Voltage rating | 150V |
| • POE | 60 Vdc, IEEE 802.3bt Type 4 PoE++ (4PPoE) 100 W |

ROTATABLE UTP FIELD TERMINATION PLUG

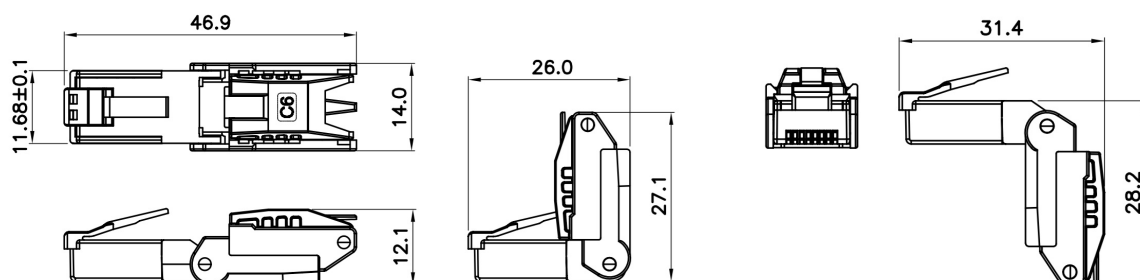
Material Specification

Parts	Specification
1. Wire management bar (IDC-Cap)	Polycarbonate, UL94V-0, transparent color
2. IDC terminals	Copper-alloy with tin plating
3. Flex PCB pad	Silica gel, UL94V-0, black color
4. RJ45 plug	
4-1. Housing	Polycarbonate, UL94V-2, transparent blue color
4-2. Contacts material	Bronze plating on flex PCB
4-3. Contacts gold plating	2 micro-inch gold plating on surface contact area
5. IDC Housing	Polycarbonate, UL94V-0, transparent blue color
6. PCB	FPC, UL94V-0

Materials



Dimensions (mm)



Ordering information

Part No.	Description
RPG-FPRCEUS-00B	Cat.5E Rotatable UTP Field Termination Plug, Blue color
RPG-FPRC6US-00B	Cat.6 Rotatable UTP Field Termination Plug, Blue color